

MT20/1500+ SS IP44



Features & Benefits

MT20/1500+ SS IP44



MT20/1500+ SS IP44

Stainless

MT1500+ SS IP44 allows a single operator to easily push, pull and steer loads up to 15,000 kg.

Battery



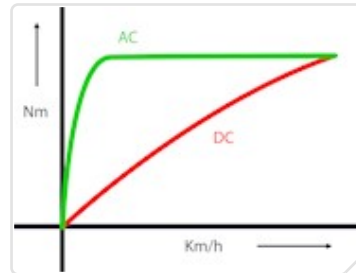
- Interchangeable
- Maintenance-free
- Battery monitoring system

Strong



- Dual secured mast
- FEA tested steel chassis
- Zinc coated steel couplings

Powerful



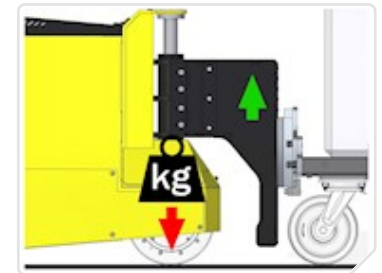
- AC drive motor
- Up to 15,000 kg load capacity
- Planetary gear box

Safety



- Self-adjusting castor guard
- Automatic braking system
- Steers through 180°

Traction



- Hydraulic weight transfer
- Industrial polyurethane drive wheel
- Push, pull and steer

Technical data

Stainless MT20/1500+ SS IP44

Identification

Recommended load weight- Castors	15000 kg
Recommended load weight- Rails	60000 kg
Machine weight including battery	480 kg
Drive type	Electric AC
Drive motor power	2.0 kW
Drive wheel type	Polyurethane
Parking brake	Eletromagnetic
Variable machine speed	0.1 km/h - 5 km/h
IP rating for the machine	IP44
Operating environment	Inside, Outside
Stainless steel	Yes

Battery options

Battery pack - sealed - 179Ah 24V - interchangeable

Charging option

Charger - external - 30A 24V - 110V-240V

Optional extras

- Option - flashing safety light and motion bleeper
- Option - two speed selector switch
- Option - drive wheel - 316 stainless steel
- Option - drive wheel - 316 stainless steel - extra grip
- Option - drive wheel - extra grip

Male coupling

- Coupling - male - height adjustable combi
- Coupling - male - height adjustable box

Female coupling

- Coupling - female - combi
- Coupling - female - box

Packaging, Transport, Training

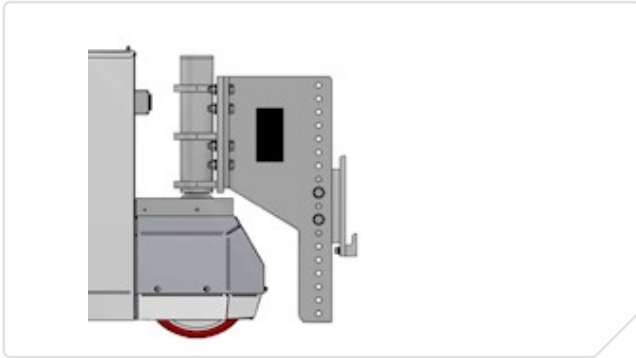
- Packaging - shipping crate
- Training - per person
- Delivery - UK

Coupling options

Stainless MT20/1500+ SS IP44

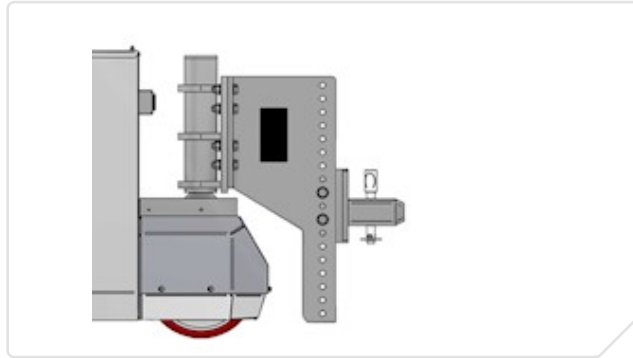
Z73-00600

Coupling - male - height adjustable combi



Z73-00601

Coupling - male - height adjustable box



Z73-00700

Coupling - female - combi



Z73-00701

Coupling - female - box



Machine options

Stainless

Z71-00500

Option - flashing safety light and motion bleeper



Z71-00502

Option - two speed selector switch



Z71-00503

Option - drive wheel - 316 stainless steel



Z73-00504

Option - drive wheel - 316 stainless steel - extra grip



Z73-00505

Option - drive wheel - extra grip



Find out more

Contact us today to find out which electric tug from MasterMover can help to improve efficiency and safety in your workplace.

For sales and support please contact:

Mastermover Ltd
Airfield Industrial Estate, Moor Farm Road
Ashbourne, DE6 1HD, England

T 01335 301 030
E sales@mastermover.com
W www.mastermover.com